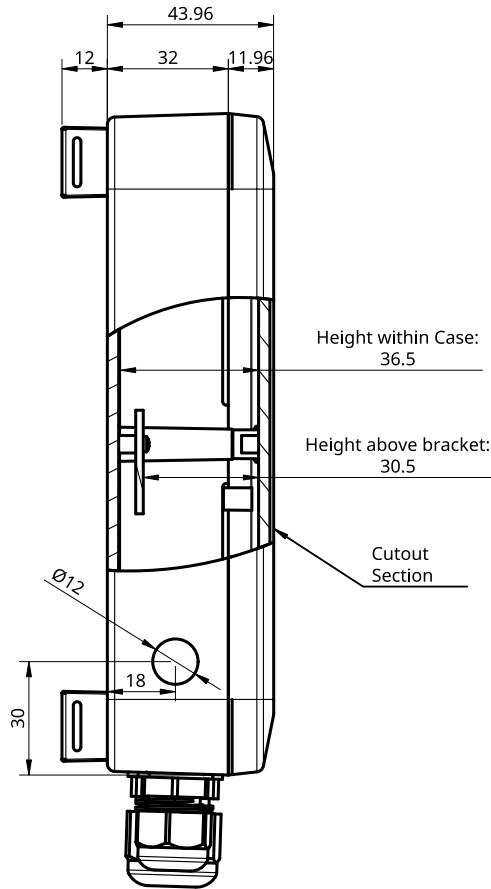
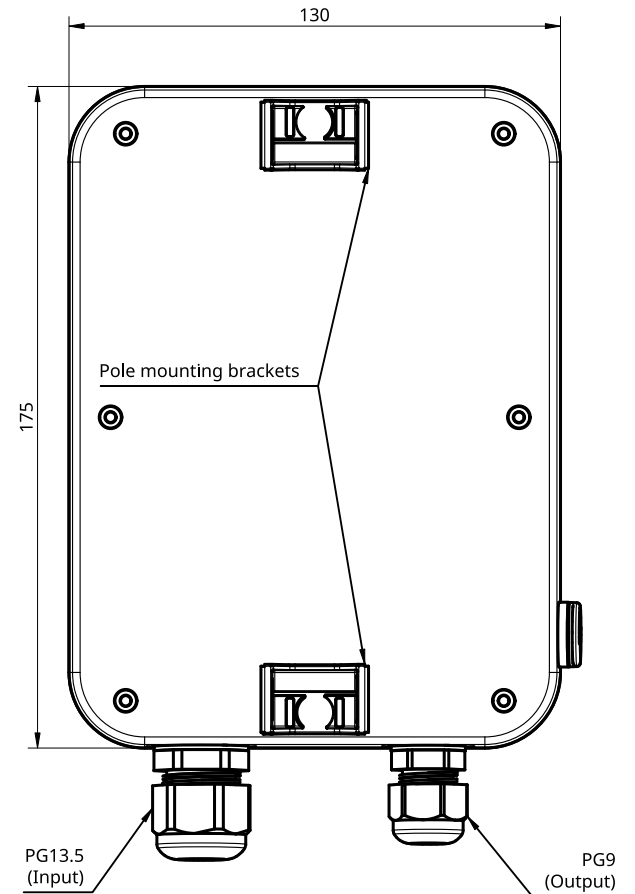


Top

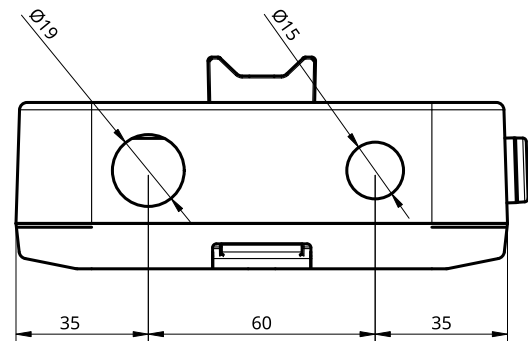
PMF100321 Vent




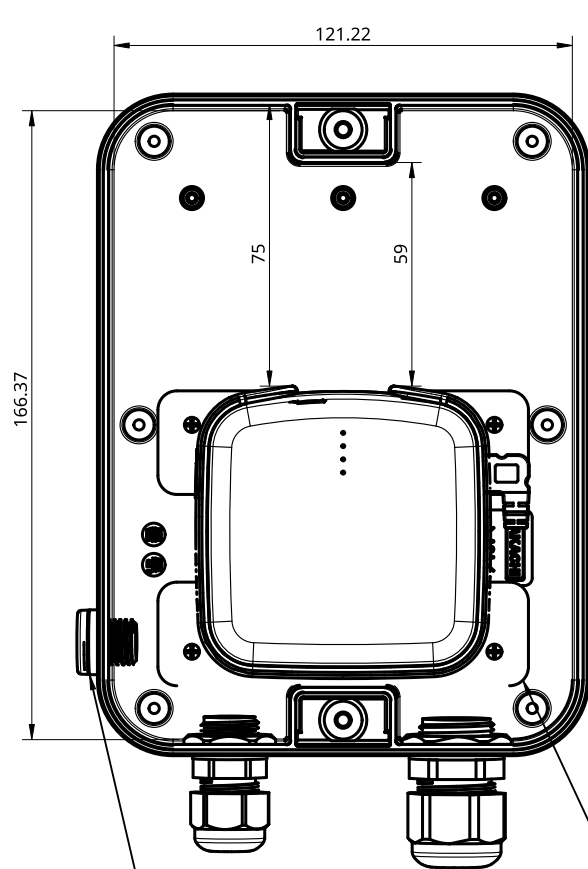
Side Profile



Bottom

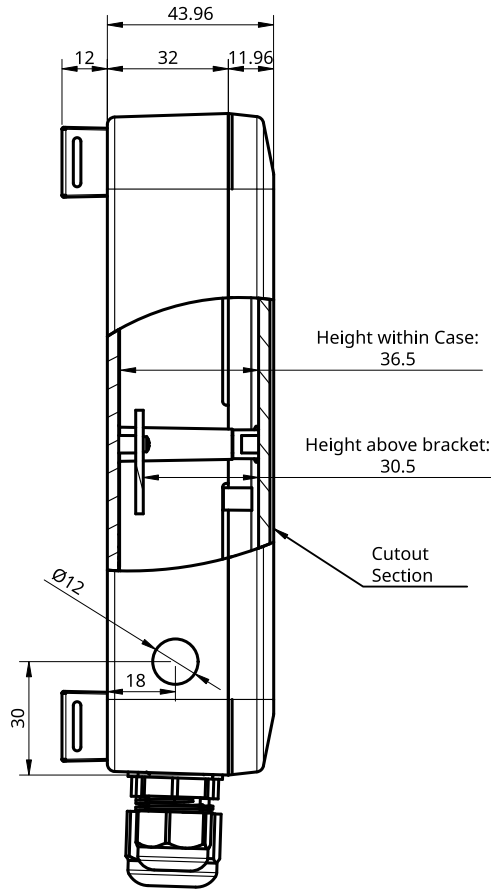


PART DATA		
	Part Number	E309 [13X18X5CM] ONLY
	Revision	R1A
	Material	ASA PW957 OFF-WHITE
<small>This document contains proprietary information and may not be copied or shared without the consent of Voltaic Systems</small>	Date	ME 2021-12-10
	Approval	SM 2021-12-09
	Scale: 1:2	Sheet: 1/3 Units: mm



Top

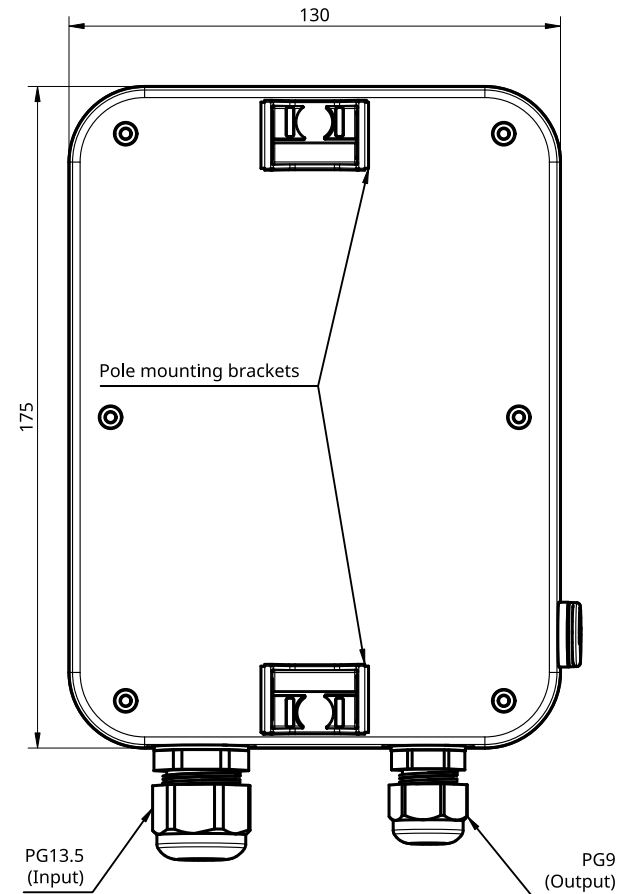
PMF100321 Vent



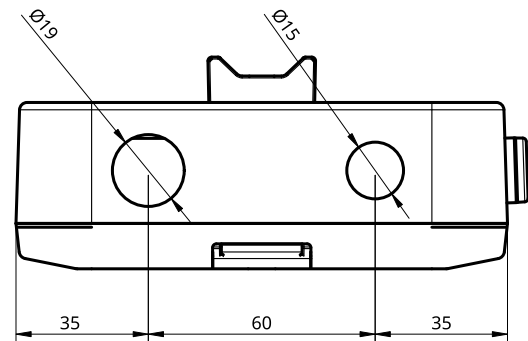
Side Profile


K211 Brackets x2
Mounted as shown

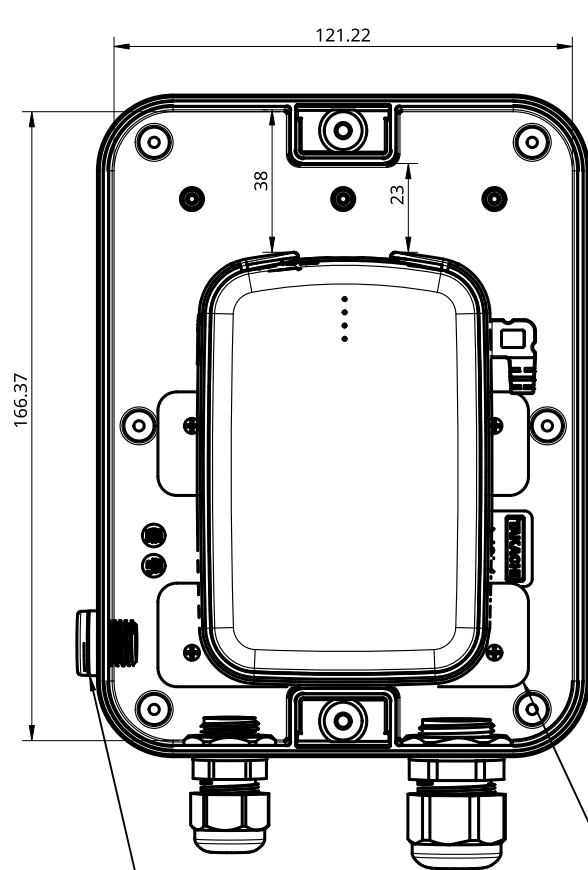
Power bank mounted as
shown with VHB at two
points



Bottom

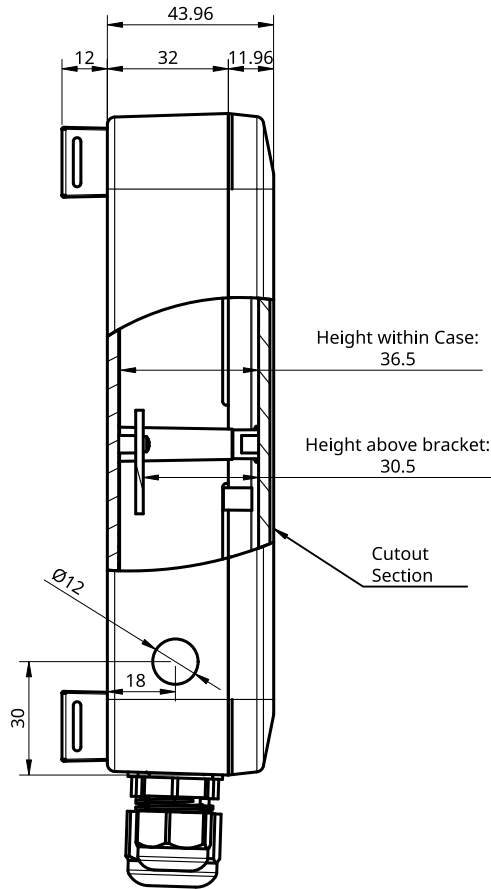


PART DATA		
	Part Number	E309 [13X18X5CM] + V25 [5V]
	Revision	R1A
	Material	ASA PW957 OFF-WHITE
<small>This document contains proprietary information and may not be copied or shared without the consent of Voltaic Systems</small>	Date	ME 2021-12-10
	Approval	SM 2021-12-09
	Scale: 1:2	Sheet: 2/3 Units: mm



Top

PMF100321 Vent



Side Profile

Height within Case: 36.5

Height above bracket: 30.5

Cutout Section

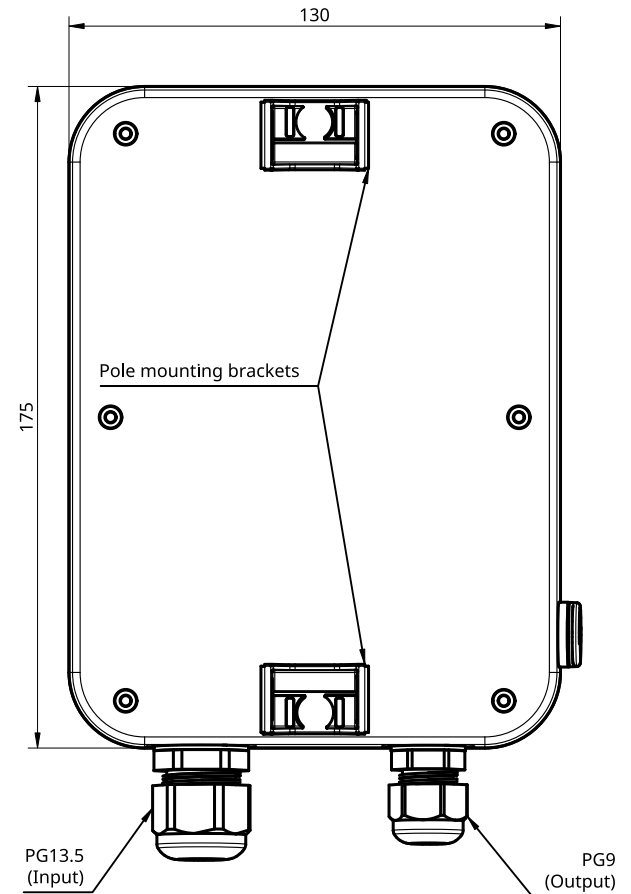
Ø12

18

30

K211 Brackets x2
Mounted as shown

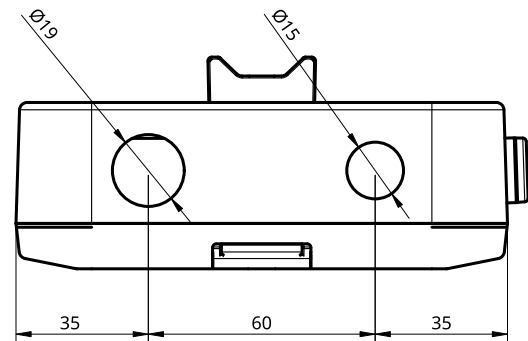
Power bank mounted as
shown with VHB at two
points



Bottom

PG13.5
(Input)

PG9
(Output)



Ø19

Ø15

35

60

35

PART DATA



Part Number	E309 [13X18X5CM] + V50 [5V]	
Revision	R1A	
Material	ASA PW957 OFF-WHITE	
Date	ME 2021-12-10	
Approval	SM 2021-12-09	
Scale: 1:2	Sheet: 3/3	Units: mm

This document contains
proprietary information and
may not be copied or shared
without the consent of Voltaic
Systems